



Network

PTZ

# XNP-6400R

2MP 40x IR PTZ camera



## Key Features

- Max. 2MP resolution
- 4.25~170mm (40x) zoom (digital 32x, total 1280x zoom)
- Max. IR viewable length 200m (656.17ft), Wise IR
- Day & Night (ICR), extreme WDR, DIS (Built-in gyro sensor)
- Intelligent analytics, Object auto tracking (Person/Vehicle), Target lock tracking
- H.264, H.265, MJPEG codec, WiseStream II
- IP66, IK10, NEMA4X, NEMA-TS 2 (2.2.8, 2.2.9)
- PTZ PLUS Design applied (Compact, Lighter, Simple cabling)
- SFP-supported by injector

## Compatible Accessories (Optional)



SBP-156HMW



SBP-156WMW



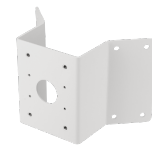
SBP-156LMW



SBP-300WMW



SBP-156CMW



SBP-156KMW



SPB-PTZ85W



SBP-300WMW1



SBP-300LMW



SBP-300PMW



SBP-300BW



SBP-300KMW



SBP-300CMW



# XNP-6400R

2MP 40x IR PTZ camera

## Specifications

### Video

Imaging Device	1/2.8" CMOS
Resolution	1920x1080, 1280x1024, 1280x960, 1280x720, 1024x768, 800x600, 800x448, 720x576, 720x480, 640x480, 640x360, 320x240
Max. Framerate	H.265/H.264: Max. 60fps/50fps(60Hz/50Hz) MJPEG: Max. 30fps/25fps(60Hz/50Hz)
Min. Illumination	Color: 0.05Lux(F1.6, 1/30sec) BW: 0Lux(IR LED On)

### Lens

Focal Length (Zoom Ratio)	4.25~170mm(40x) zoom (digital 32x, total 1280x zoom)
Max. Aperture Ratio	F1.6(Wide)~F4.95(Tele)
Angular Field of View	H: 65.66(Wide)~1.88(Tele) / V: 39.40(Wide)~1.09(Tele)
Min. Object Distance	3m(9.84ft)
Focus Control	Oneshot AF, Focus save
Lens Type	DC auto iris

### Pan / Tilt / Rotate

Pan Range	360 Endless
Pan Speed	Max. 700/sec, Manual: 0.024/sec~250/sec
Tilt Range	110(-20~90)
Tilt Speed	Max. 500/sec, Manual: 0.024/sec~250/sec
Sequence	Preset(300ea), Swing, Group(6ea), Trace, Tour, Auto Run, Schedule
Preset Accuracy	Up to ±0.1, Pan/Tilt correction

### Operational

Camera Title	Displayed up to 85 characters
Direction Indicator	Support
Day & Night	Auto(ICR)/Color/BW/Schedule
Backlight Compensation	BLC, HLC, WDR, SSSDR
Wide Dynamic Range	Extreme WDR(150dB)
Digital Noise Reduction	SSNR V
Digital Image Stabilization	Support(built-in gyro sensor)
Defog	Support
Motion Detection	8ea, 8point polygonal zones
Privacy Masking	32ea, Quadrangle Support - Color: Grey/Green/Red/Blue/Black/White - Mosaic
Gain Control	Low / Middle / High
White Balance	ATW / AWC / Manual / Indoor / Outdoor
Electronic Shutter Speed	Minimum / Maximum / Anti flicker (2~1/12,000sec)
Video Rotation	Flip, Mirror
Analytics	Directional detection, Fog detection, Face detection, Motion detection, Appear/Disappear, Enter/Exit, Loitering, Tampering, Virtual line, Shock detection * Audio detection, Sound classification(with NW I/O Box)

<b>Alarm Triggers</b>	Analytics, Network disconnect * Alarm input(with NW I/O Box)
<b>Alarm Events</b>	File upload via FTP and e-mail Notification via e-mail SD/SDHC/SDXC or NAS recording at event triggers PTZ Preset Handover * Alarm output(with NW I/O Box)
<b>IR Viewable Length</b>	200m(656.17ft), Wise IR
<b>Water Removal</b>	Support(Spinning dry)
<b>Auto Tracking</b>	Object auto tracking(Person/Vehicle), Target lock tracking

## Network

<b>Ethernet</b>	Metal shielded RJ-45(10/100BASE-T)
<b>Video Compression</b>	H.265/H.264: Main/Baseline/High, MJPEG
<b>Smart Codec</b>	Manual(5ea area), WiseStream II
<b>Bitrate Control</b>	H.264/H.265: CBR or VBR MJPEG: VBR
<b>Streaming</b>	Unicast(20 users) / Multicast (128 user) Multiple streaming(Up to 10 profiles)
<b>Protocol</b>	IPv4, IPv6, TCP/IP, UDP/IP, RTP(UDP), RTP(TCP), RTCP, RTSP, NTP, HTTP, HTTPS, SSL/TLS, DHCP, FTP, SMTP, ICMP, IGMP, SNMPv1/v2c/v3(MIB-2), ARP, DNS, DDNS, QoS, PIM-SM, UPnP, Bonjour, LLDP, SRTP
<b>Security</b>	HTTPS(SSL) Login Authentication Digest Login Authentication IP Address Filtering User access log 802.1X Authentication(EAP-TLS, EAP-LEAP) Device certificate(Hanwha Techwin Root CA)
<b>Application Programming Interface</b>	ONVIF Profile S/G/T SUNAPI(HTTP API) Wisenet open platform

## General

<b>Webpage Language</b>	English, Korean, Chinese, French, Italian, Spanish, German, Japanese, Russian, Swedish, Portuguese, Czech, Polish, Turkish, Dutch, Hungarian, Greek
<b>Edge Storage</b>	Micro SD/SDHC/SDXC 2slot 1TB
<b>Memory</b>	4GB RAM, 512MB Flash

## Environmental & Electrical

<b>Operating Temperature / Humidity</b>	-40°C~+50°C (-40°F ~ +122°F) / +74°C (+165°F) (MAX) based on NEMA-TS 2(2.2.7) * Start up should be done at above -30°C Less than 95% RH(Non-condensing)
<b>Storage Temperature / Humidity</b>	-50°C ~ +60°C (-58°F ~ +140°F) / Less than 90% RH
<b>Certification</b>	IP66, IK10, NEMA4X, NEMA-TS 2(2.2.8, 2.2.9)
<b>Input Voltage</b>	HPoE(IEEE802.3bt, Class6, Type3, Injector included)
<b>Power Consumption</b>	Typical 20W, Max 40W

## Mechanical

<b>Color / Material</b>	Body : White / Aluminum Head : Black / Polycarbonate Hard-coated dome
<b>RAL Code</b>	White: RAL9003 / Black: RAL9005
<b>Product Dimensions / Weight</b>	Ø158x293.3mm(6.22x11.55") / 3.2Kg(7.05lb)

## DORI (EN62676-4 standard)

<b>Detect (25PPM/ 8PPF)</b>	Wide: 59.5m(195.3ft) / Tele: 2340.4m(7678.4ft)
<b>Observe (63PPM/ 19PPF)</b>	Wide: 23.8m(78.1ft) / Tele: 936.2m(3071.4ft)
<b>Recognize (125PPM/ 38PPF)</b>	Wide: 11.9m(39.1ft) / Tele: 468.1m(1535.7ft)
<b>Identify (250PPM/ 76PPF)</b>	Wide: 6.0m(19.5ft) / Tele: 234.0m(767.8ft)

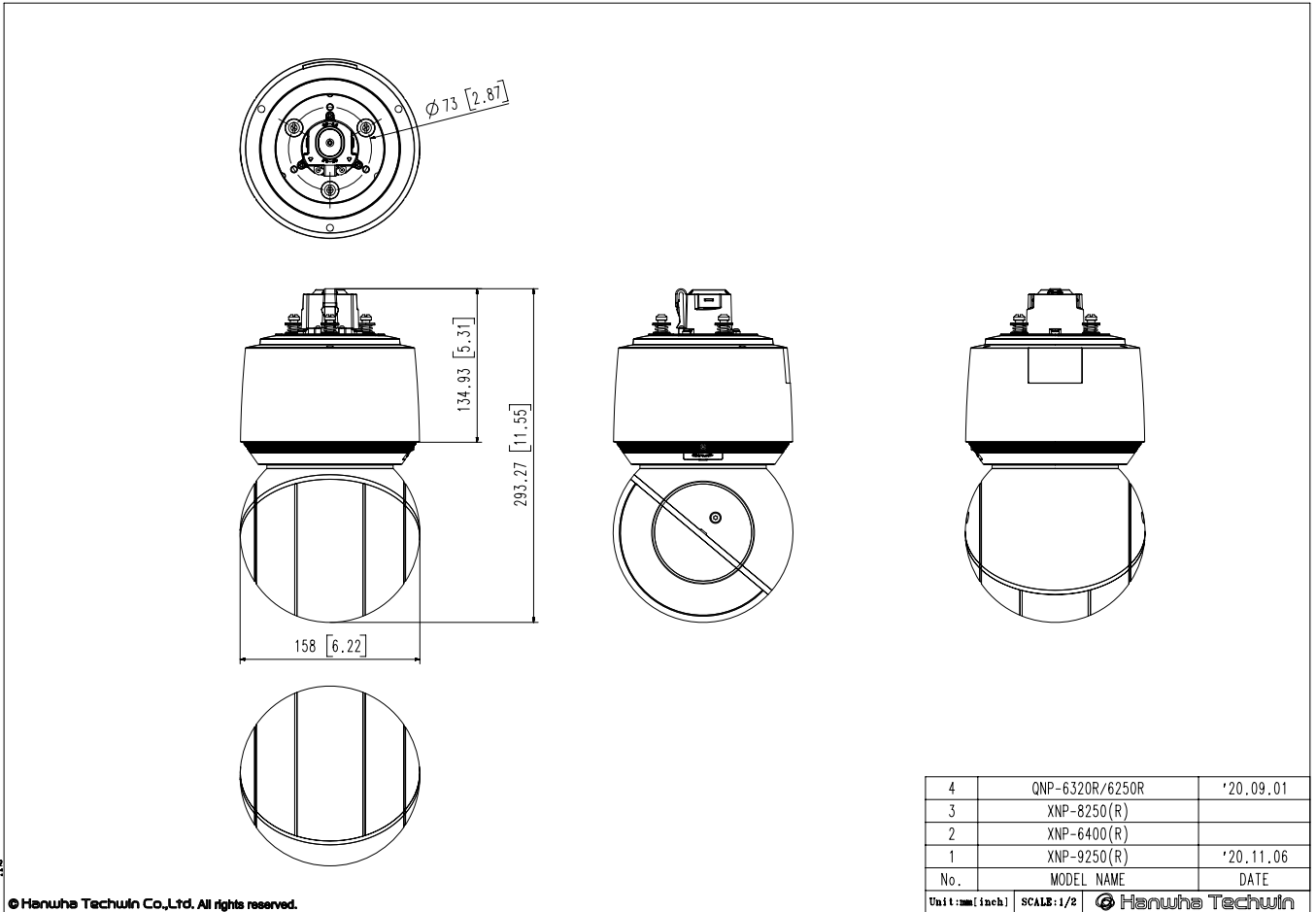
# XNP-6400R

2MP 40x IR PTZ camera



CAD

Unit: mm [inch]



A2

© Hanwha Techwin Co., Ltd. All rights reserved.